

TB138 **FR**

ZERO-SWING EXCAVATOR

● Machine Weight : 3860kg



TAKEUCHI

ADJUSTABLE ONE PIECE OFFSET BOOM SYSTEM



Operator Comfort

Spacious Compartment

decreases operator's fatigue during long days of productive operation.

Wide Entrance

provides the comfort entry/exit.

Two-Speed Travel Switch

is conveniently located on the right hand travel lever for ease of operation.

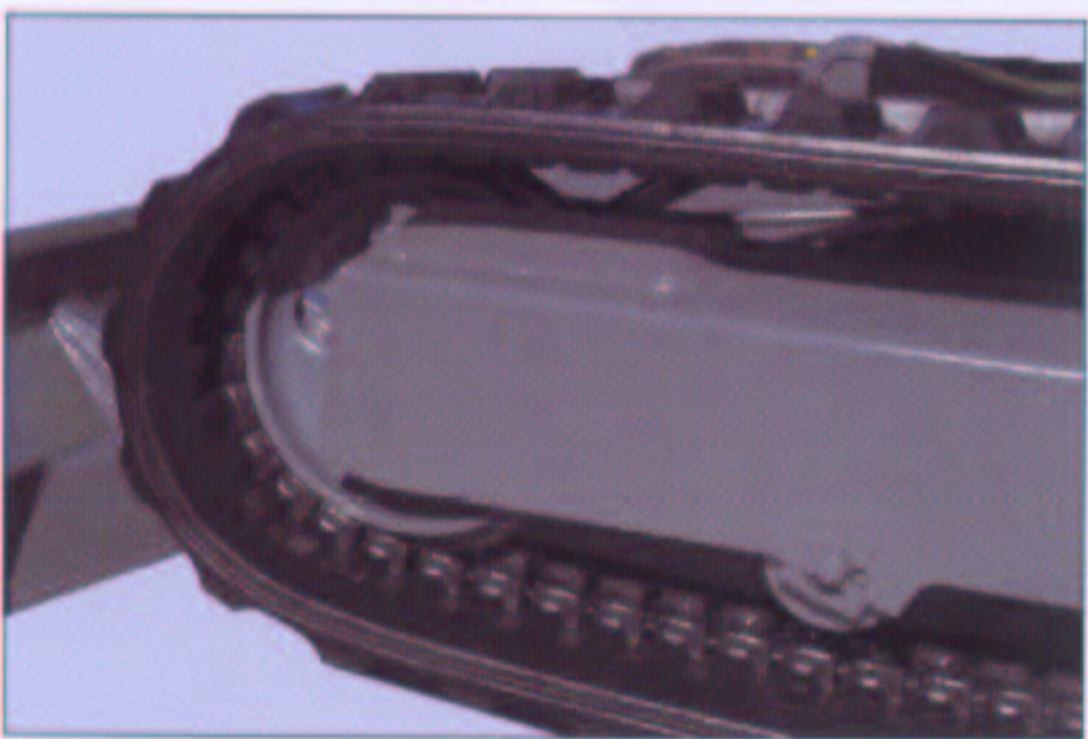


Two-Speed Travel Shift-Down System

automatically shifts travel speed from high to low speed when ground conditions call for additional traction power.

One Touch Engine Decelerator

installed on the right hand joystick reduces fuel consumption when the excavator is temporary idled.



Short Pitch Rubber Crawlers provide vibration free travel even on the roughest ground conditions.



Serviceability

Tilt-Up Operator's Platform

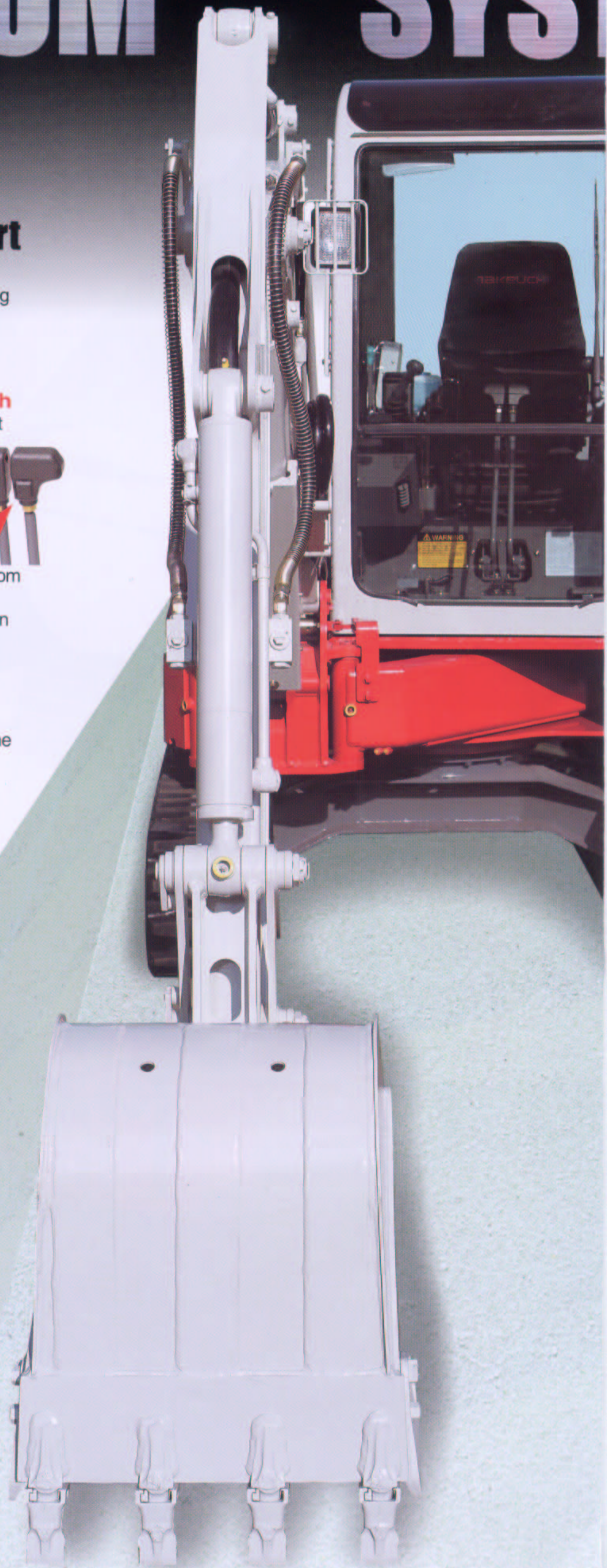
provides excellent service access to the engine and other components.

Multiple Ground Level Access Panels

allow quick and easy maintenance servicing.

Newly Designed Radiator & Exhaust System

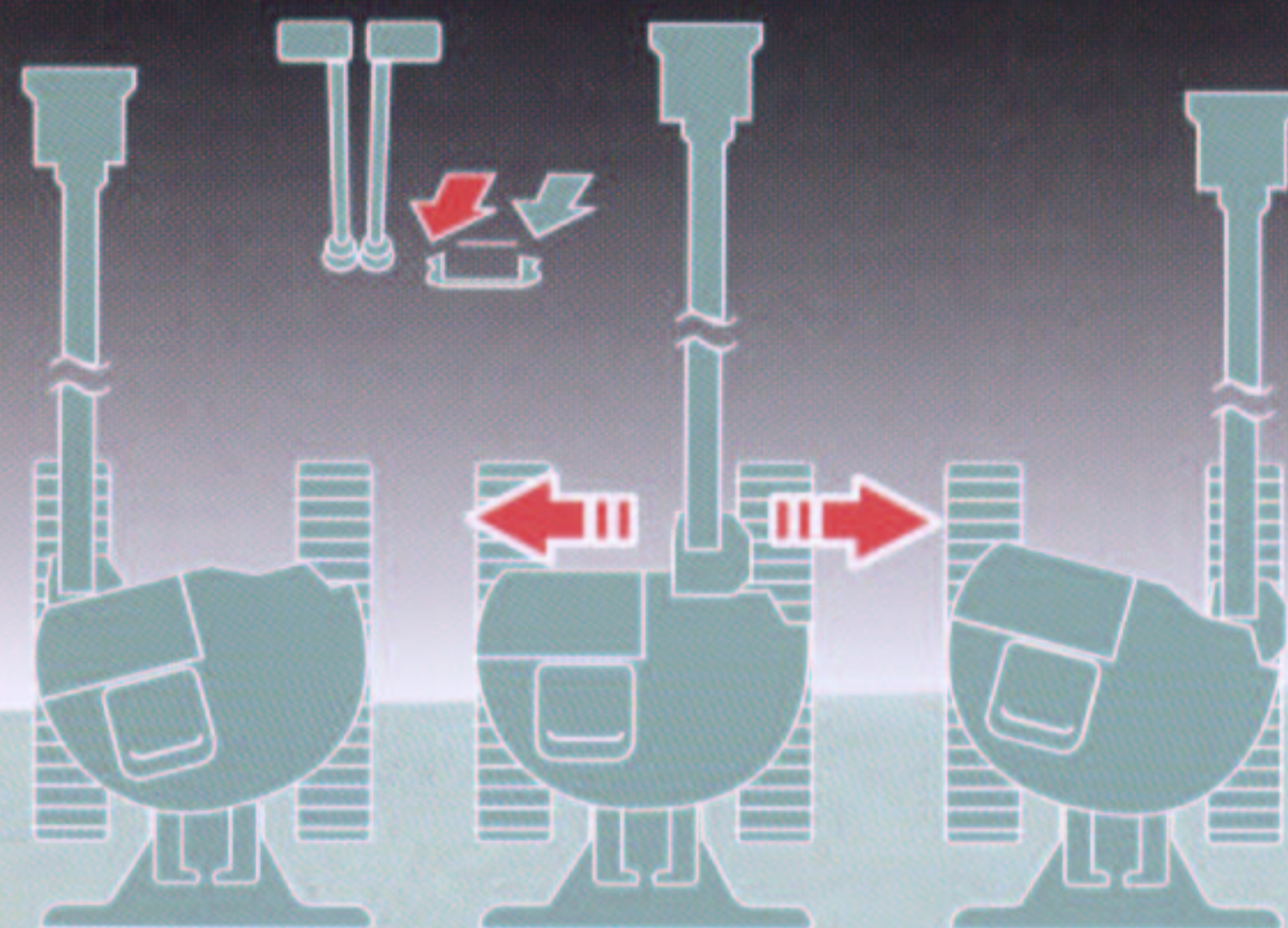
for releasing heat quickly / easy maintenance.



SYSTEM



combined with zero-swing. A compact and innovative



ZERO-SWING

enables the TB138FR to efficiently operate in confined areas.



Safety

Well-Balanced Machine Weight
insures superior stability.

Emergency engine shut down / return to idle system

helps protect the engine from problems due to unobservant operators.

Environmental Sensitivity

New Series Engine

is designed to meet the most strict worldwide exhaust emission standards and also provides significantly reduced noise levels for minimal disturbance in urban areas.



TB138FR Canopy



Ease of Operations

Excellent Travel & Slew Speed

shorten operation cycle time.

Hydraulic Attachments

are operated by momentary push button or proportionally controlled by the slider switch on the joystick.

(SLIDER SWITCH:OPTIONAL)

Options

Air Conditioner

provides a comfortable operating environment in even the warmest climate.

2nd AUXILIARY HYDRAULIC SERVICE PORT

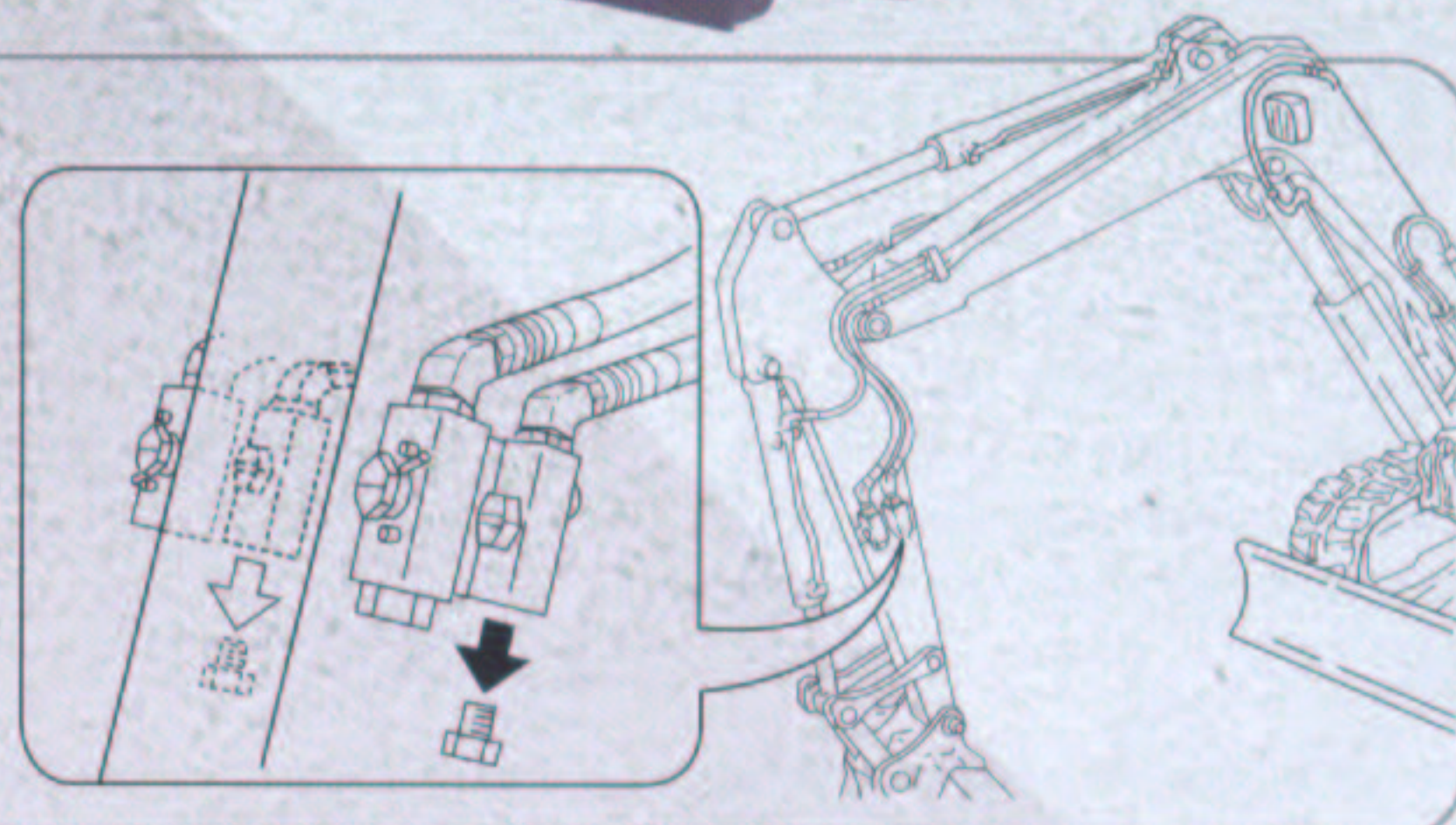
powers attachments that require multiple hydraulic actuation.

Optional Long Arm

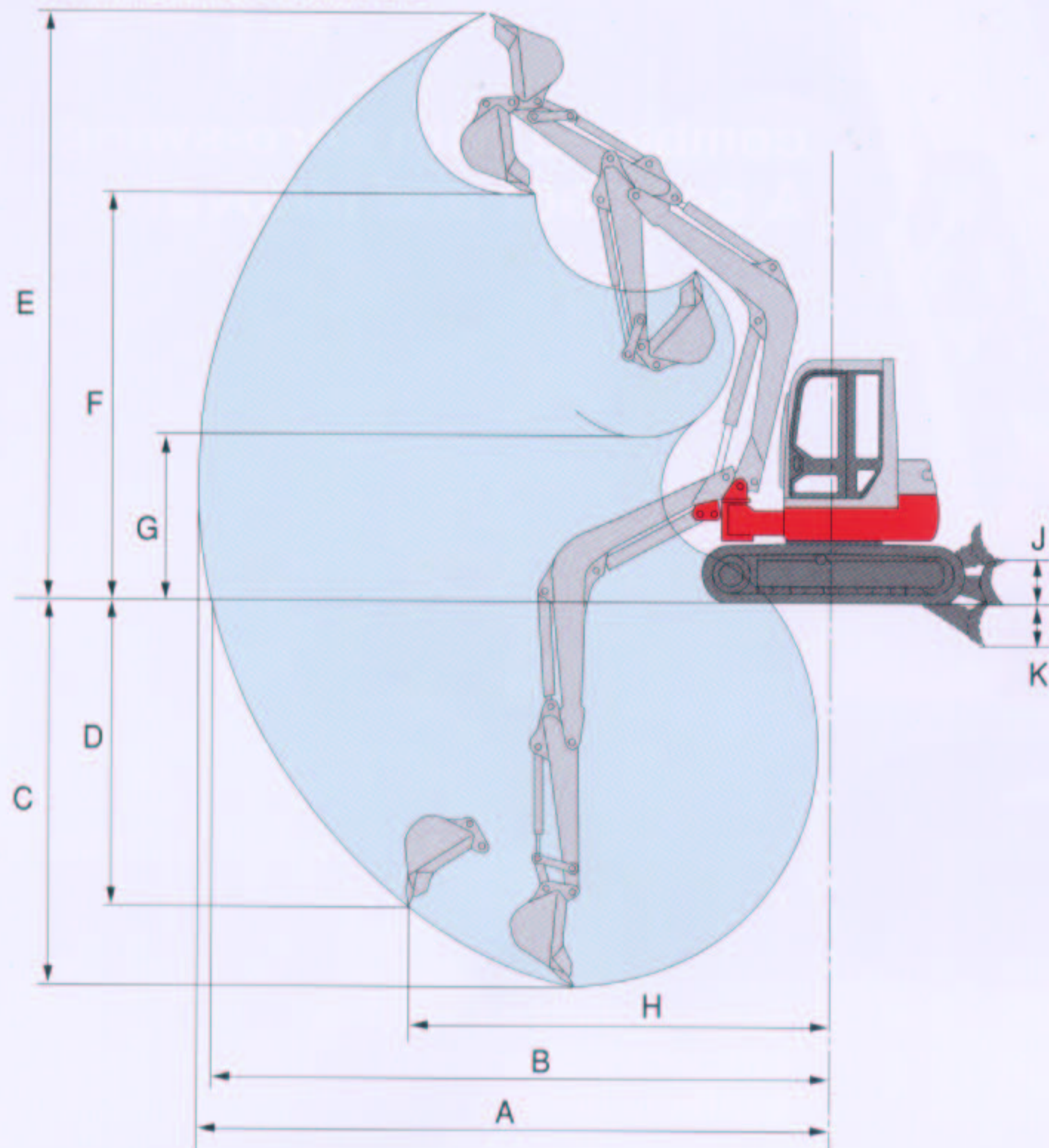
increases the excavators working range.

Proportional Auxiliary Hydraulic Switch

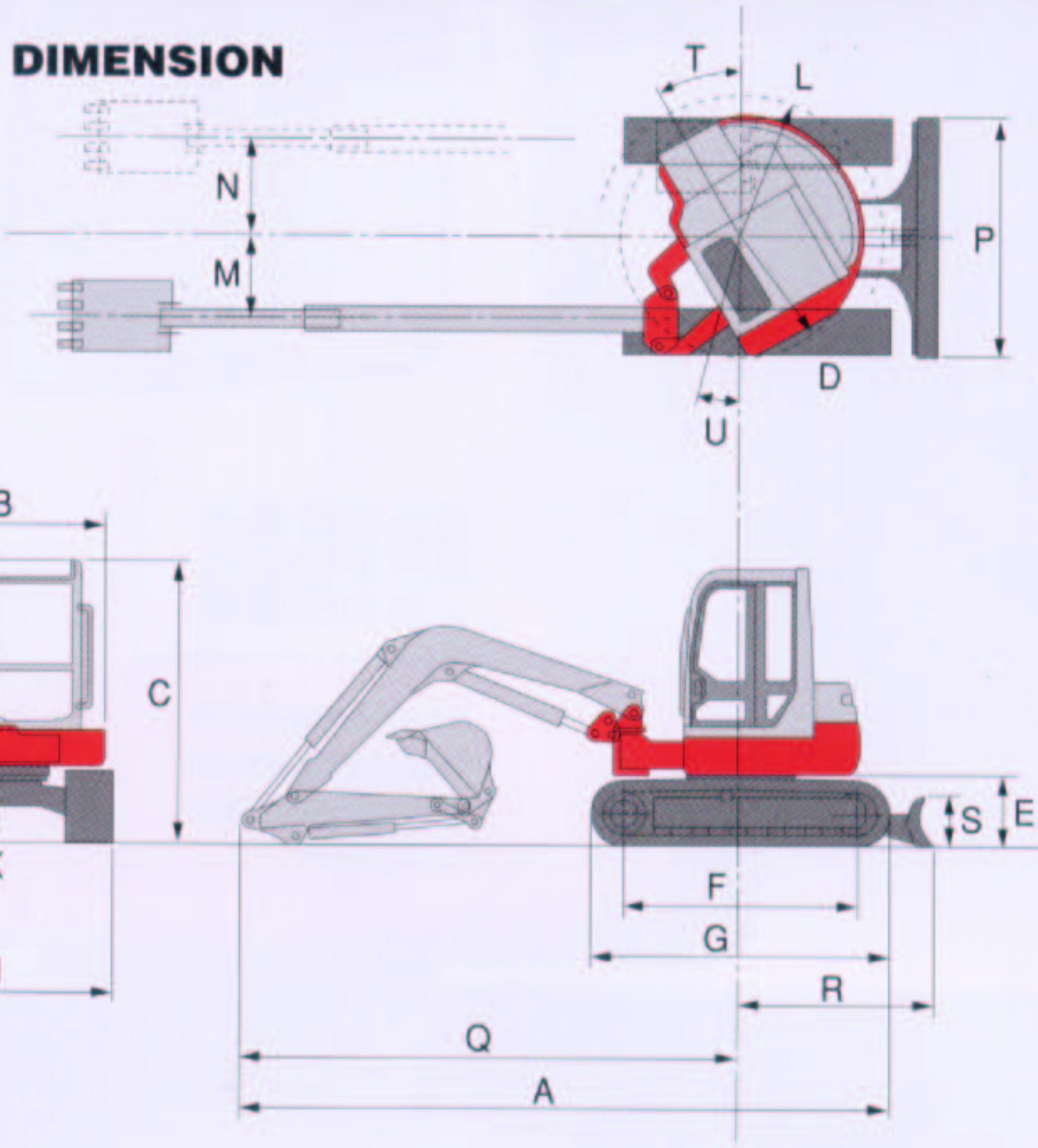
is controlled at your fingertips.



OPERATING RANGE



DIMENSION



Units:mm

Item		Standard Arm	Long Arm
		Rubber Crawlers	
A	Max. digging radius	5260	5550
B	Max. ground digging radius	5130	5425
C	Max. digging depth	3110	3420
D	Max. vertical digging depth	2365	2635
E	Max. digging height	5020	5220
F	Max. dumping height	3595	3795
G	Min. dumping height	1420	1120
H	Max. vertical digging radius	3605	3730
J	Max. raising height	355	355
K	Max. lowering depth	290	290

Units:mm | } :Canopy

	Standard Arm	Long Arm		Standard Arm	Long Arm
	Rubber Crawlers			Rubber Crawlers	
A	4715	4770	L	1155	1335
B	1640	←	M	700	←
C	2555 [2565]	←	N	730	←
D	955	←	P	1740	←
E	605	←	Q	3660	3715
F	1655	←	R	1415	←
G	2110	←	S	395	←
H	1740	←	T	30°	
J	350	←	U	15°	
K	295	←			

SPECIFICATIONS TB138FR Cab, Rubber Tracked, Breaker Piping Standard (STEEL TRACKED)

WEIGHT		Rear Slew Radius	955	OPERATING RANGE : mm	
Machine Weight	kg	Min. Ground Clearance	295	Max. Digging Depth	3110
BUCKET		PERFORMANCE		Max. Vertical Digging Depth	2365
Bucket Capacity	m ³	Traction Speed	km/h 2.5 / 4.7 (2.3 / 4.5)	Max. Dumping Height	3595
Bucket Width	mm	Upper Slew Speed	min ⁻¹ 9.5	Max. Digging Height	5020
DIESEL ENGINE (WATER-COOLED)		Gradeability	deg/% 30° / 58%	Max. Digging Radius	5260
Model	3TNV88	Max Dig Power Bucket	kN 26.5	Max. Ground Digging Radius	5130
Type	4CYCL,3CYL,Direct Injection	Max Dig Power Arm	kN 18	Max. Bucket Offset RH/LH	730/700
Rated Output	kW 20.5	Ground Pressure	kPa 30.4 (32.1)	HYDRAULIC SYSTEM	
Max. Torque	N·m 99.9~108.7	DOZER BLADE : mm		Pump Type	2xVariablePiston Pump+2xGear Pump
Displacement	mL 1642	Width x Height	1740X395	Set Pressure	MPa 20.6x2+19.6+3.4
Cooling Water Capacity	L 5.4	Operating Range up/down	355/ 290	Discharge	L/min 37.2x2+21.8+10.3
Lubrication Oil Capacity	L 4.7	OFF-SET DIG FUNCTION		Breaker & Service Port	L/min 59
Fuel Tank Capacity	L 40	Type	Boom Offset	Slew Motor	Piston Motor
OVERALL DIMENSION:mm		Swing Angle RH/LH	15° / 30°	Traction Motor	2-Speed Piston Motor
Length (in transport)	4715	TRACTION SYSTEM : mm		Hydraulic Tank Capacity	L 41 (Level) / 68 (System)
Width	1740	Crawler (Track)	Rubber / Steel		
Height	2555	Track Width RT (ST)	350 (350)		

WORLD CREATOR OF COMPACT EXCAVATOR

TAKEUCHI MFG.CO.,LTD.

205, Uwadaira,Sakaki-machi, Hanisina-gun.

Nagano 389-0605,Japan

Phone (81)268-81-1112

Telefax (81)268-81-1121

URL <http://www.takeuchi-mfg.co.jp>

E-mail:marketing@takeuchi-mfg.co.jp